



**Master
WorkHolding, Inc.**

PRP

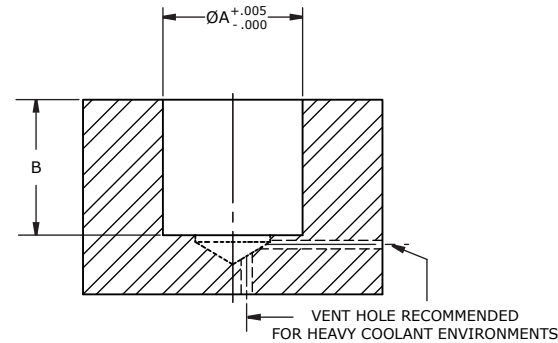
Position & Retention Pin



“Advanced Workholding Solutions”



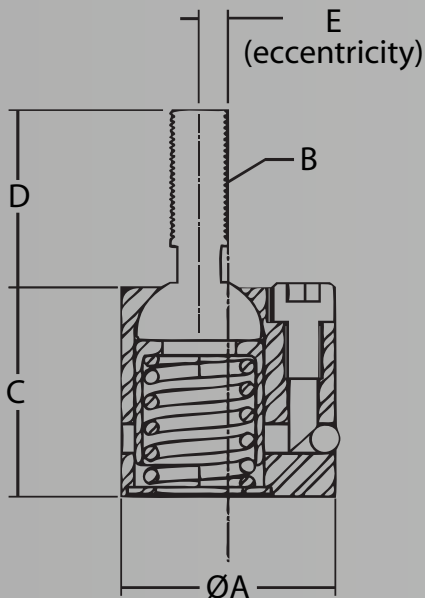
MOUNTING HOLE SPECIFICATIONS



PART #	ØA	B
MW-8-PRP-__	0.746	0.601
MW-12-PRP-__	0.933	0.905
MW-16-PRP-__	1.121	1.085

Master Workholding, Inc., provider of custom workholding solutions, has redesigned a very versatile locating component. Designers at Master Workholding noticed several problems with currently available spring locating pins, leading them to create a design to eliminate those problems. Traditional rubber seals are ineffective in preventing interference by debris, creating one of the largest problems with current pins. The Master Workholding Position & Retention Pin (PRP) has a metal to metal seal, preventing debris and chips from entering the inner mechanism.

Our eccentric design allows flexibility in locating parts with large tolerances. Eccentricity also creates a range of adjustability.



PART #	Price Ea.	ØA	B	C	D	E
MW-8-PRP-__		0.740	#8-32	0.601	0.520	0.125
MW-12-PRP-__		0.927	1/4-28	0.905	0.769	0.125
MW-16-PRP-__		1.115	3/8-24	1.085	1.101	0.125

Spring Force Options (lbs/in)

PART #	Light	Medium	Heavy
MW-8-PRP-1	(5-6)	(9-10)	(13-16)
MW-8-PRP-2			
MW-8-PRP-3			
MW-12-PRP-1	(10-12)	(18-21)	(19-23)
MW-12-PRP-2			
MW-12-PRP-3			
MW-16-PRP-1	(19-22)	(31-41)	(45-62)
MW-16-PRP-2			
MW-16-PRP-3			

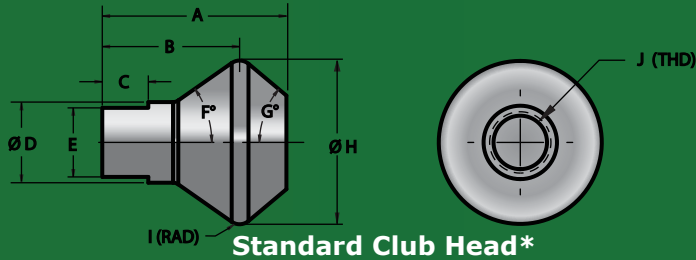


Master WorkHolding, Inc.

PRP

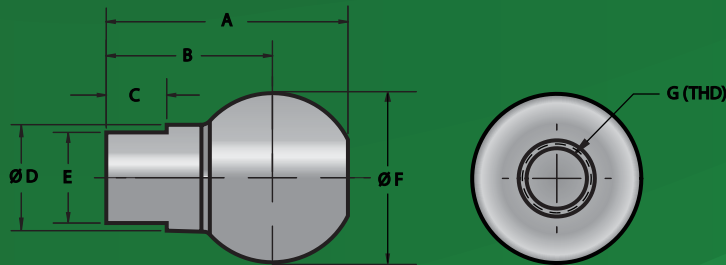
Position & Retention Pin

PRP Stock Club Heads



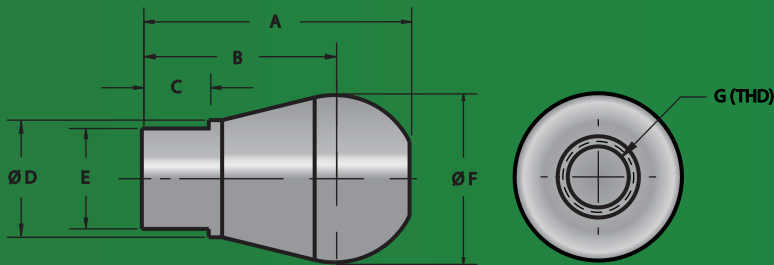
Standard Club Head*

Part #	Price Ea.	A	B	C	ØD	E	F	G	ØH	I (RAD)	J (THD)
MW-8-SCH		.625	0.47	0.19	0.25	0.22	35°	40°	0.53	0.05	#8-32
MW-12-SCH		1.00	0.75	0.25	0.44	0.38	35°	40°	0.89	0.08	1/4-28
MW-16-SCH		1.50	1.10	0.38	0.56	0.50	35°	40°	1.14	0.10	3/8-24



Ball Club Head*

Part #	Price Ea.	A	B	C	ØD	E	ØF	G (THD)
MW-8-BCH		.625	0.43	0.19	0.25	0.22	0.44	#8-32
MW-12-BCH		1.00	0.69	0.25	0.44	0.38	0.70	1/4-28
MW-16-BCH		1.50	1.05	0.38	0.56	0.50	0.99	3/8-24



Pin Club Head*

Part #	Price Ea.	A	B	C	ØD	E	ØF	G (THD)
MW-8-PCH		.625	0.45	0.19	0.25	0.22	0.40	#8-32
MW-12-PCH		1.00	0.72	0.25	0.44	0.38	0.63	1/4-28
MW-16-PCH		1.50	1.11	0.38	0.56	0.50	0.88	3/8-24

*Club heads come standard in heat treated steel. To order in delrin use -D at the end of part number. (ex. MW-8-PCH-D)

Master WorkHolding . 315 Burke Drive . Morganton NC . 28655 . Ph - (828) 437-0011 . Fax - (828) 438-0069

For prices, please call.